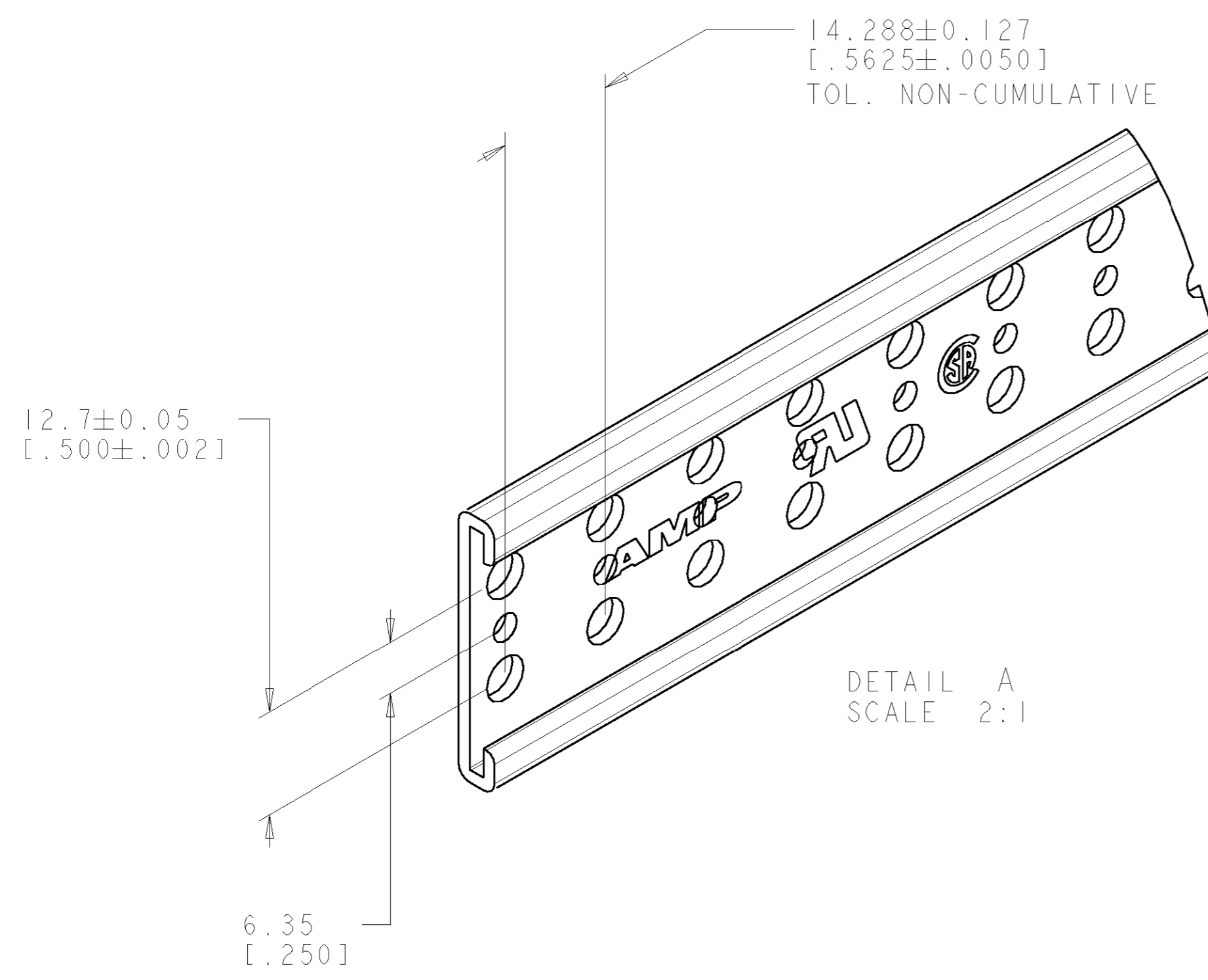


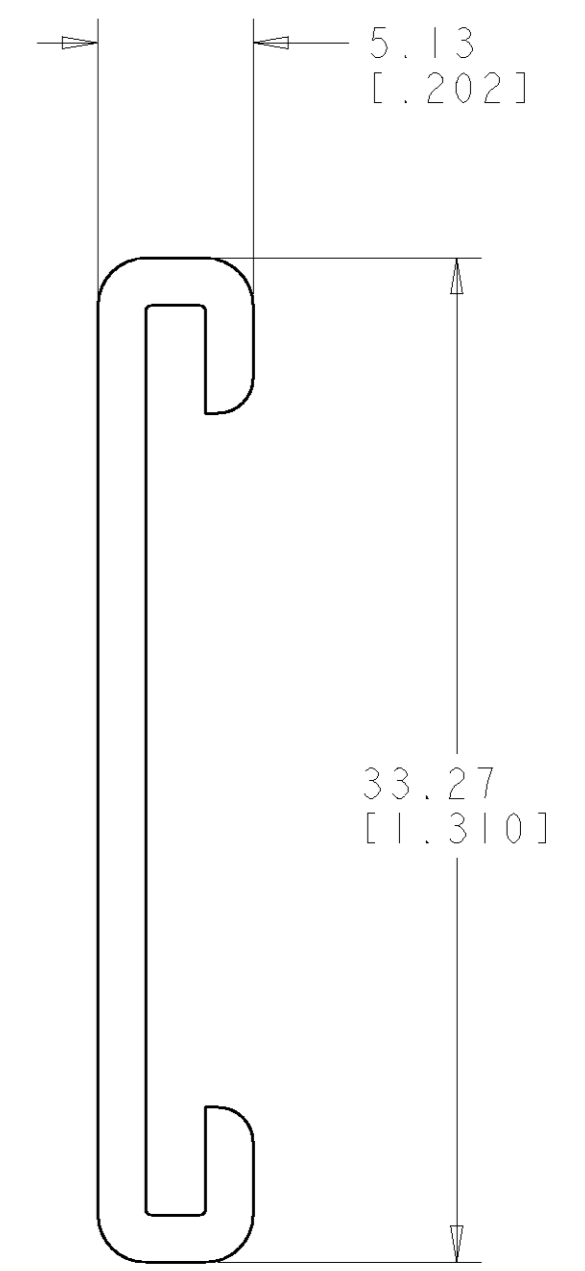
THIS DRAWING IS UNPUBLISHED. RELEASED FOR PUBLICATION 20  
 © COPYRIGHT 20 BY TYCO ELECTRONICS CORPORATION. ALL RIGHTS RESERVED.

LOC	DIST	REVISIONS					
HM	00	P	LTR	DESCRIPTION	DATE	DWN	APVD
		A		RLSD; EC 0B40-0001-03	07MAR03	GG	MD
		B		OBS 1/1; EC 0B40-0264-04	07JUN2004	LH	LH
		C		REACTIVATE/REV-EC 0B40-0138-04	07JUN2004	LH	SM

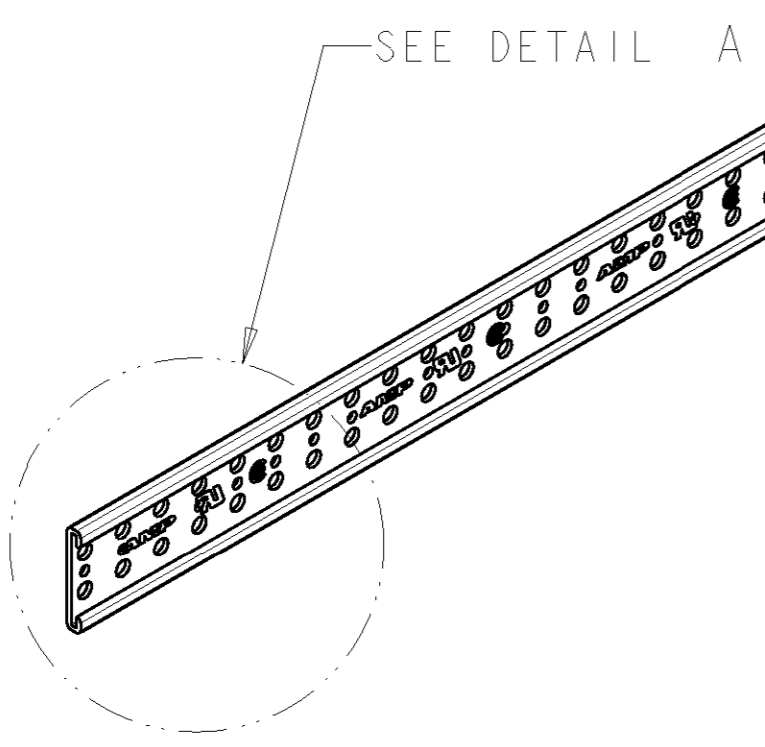


1. MATERIAL: NORYL EN265, 1.57 [.062] THICK.

DETAIL A  
SCALE 2:1



SCALE 4:1



MATERIAL	LENGTH	PART NUMBER
WITH HOLES	200.03[7.875] ± 3.18[.125]	1-601806-7
WITH HOLES	241.3[9.5] ± 3.18[.125]	1-601806-6
NO HOLES	914.4[36.00] +19.05[.75] / -0	1-601806-3
WITH HOLES	914.4[36.00] +19.05[.75] / -0	1-601806-1

<small>THIS DRAWING IS A CONTROLLED DOCUMENT FOR TYCO ELECTRONICS CORPORATION. IT IS SUBJECT TO CHANGE AND THE CONTROLLING ENGINEERING ORGANIZATION SHOULD BE CONTACTED FOR THE LATEST REVISION.</small>		DWN G. GARRETT 07MAR03 CHK M. DELPHIAS 07MAR03 APVD M. DELPHIAS 07MAR03	<b>tyco</b> Electronics Tyco Electronics Harrisburg, PA 17105-3608
DIMENSIONS: MM [INCHES]	TOLERANCES UNLESS OTHERWISE SPECIFIED: 0 PLC ± 1 PLC ± 2 PLC ± 3 PLC ± 4 PLC ± ANGLES ± FINISH	PRODUCT SPEC APPLICATION SPEC WEIGHT	NAME MOUNTING TRACK, FLEXI-BLOCK SIZE A2 CAGE CODE 00779 DRAWING NO. 601806 RESTRICTED TO
MATERIAL		CUSTOMER DRAWING	
		SCALE 1:2	SHEET 1 OF 1 REV C